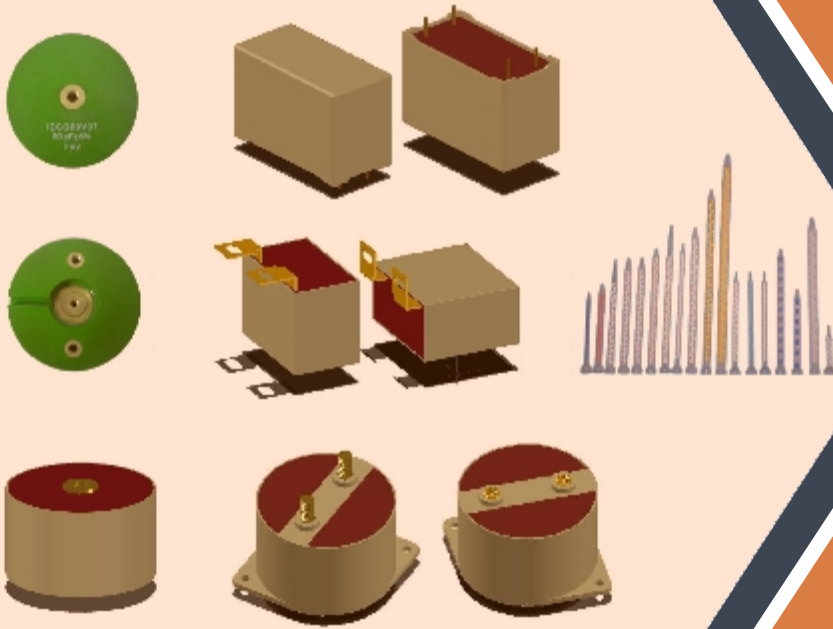




Exporters & Distributors of
Machined Components
And Capacitors



An ISO
9001 : 2015
Certified Company





About Us

SINCE WE STARTED WORK IN 2000

S&Z Materials INC is a brand that the non-ferrous industry has known for the past two decades. A leader In brass precision components & capacitors, we have been delivering high quality products since our inception.

Founded in the year 2000 in the heart of Mississauga, CANADA. It was our vision and zeal that has made this institution a name synonymous with machined precision components in the engineering industry.



Quality Assurance



Our quality policy has always been that of satisfying customers by delivering precision machined products understanding their exact requirements in terms of product quality, delivery schedule and services. S&Z constantly reviews our system and makes changes when necessary to ensure that your parts are produced to the highest standards. We can provide documentation on request; which includes PPAP's, first article inspection, final inspection reports and certificates of compliance.

We have quality control department, which ensures that each product manufactured is exactly to the drawing and each process is controlled and quality of the parts are maintained throughout the entire process.

Quality Testing Instruments

- ➔ Profile Projector
- ➔ Micrometers
- ➔ Digital Dial Callipers
- ➔ Digital Verniers
- ➔ Microscope
- ➔ Thread Gauges
- ➔ Go - Nogo Gauges
- ➔ Digital Micron Meter
- ➔ Slip Gauge Set of 120 Nos.
- ➔ Analytical Weighing Balance
- ➔ Ring & Plug Gauges
- ➔ Surface Roughness Tester





Components

➔ MACHINED COMPONENTS



Machined Components are in most of the items we depend on everyday. They range from relatively simple designs to Components that need work done to every surface with various tooling in precise locations. Manufacturing these custom components in a manner that is both quick and cost-effective can prove difficult without the proper technology or experience.

➔ ALUMINIUM COMPONENTS



We are prominent manufacturer and supplier of an exclusive range of Aluminum Components for our precious clients. The offered range is designed using the supreme quality raw material, we feel pleased to mention that we have state of the art manufacturing facility where we produce very large range of high precision turned Aluminum Components. These components are used in the automobile, electrical, electronics, telecom and plastic moulding industries.

➔ SS COMPONENTS



We are Manufactures of Stainless Steel Components, Stainless Steel Machine Components. Our products are known in the market for their superior varieties and durability. These are widely appreciated for their sustain ability, reliability and precised designs. We ensure the most reliable products which are available in best specification at the most profitable price range. Our products are used in many industries like Automotive, Material Handling, Textile Industry.



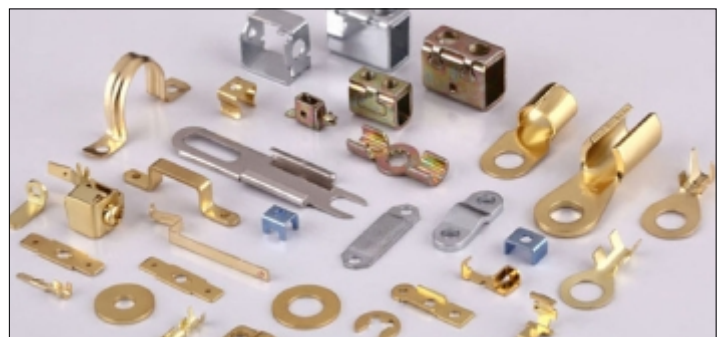
Components

➤ BRASS COMPONENTS



We provide a wide range of Brass Components, we develop customize Brass Components as per technical drawing or other relevant data. These are widely used and are available in market in different specifications. These parts are offered in numerous specifications to our clients at highly reasonable prices.

➤ SHEET METAL COMPONENTS



With vast experience and knowledge we are involved in offering a premium quality range of Sheet Metal Components. These are highly appreciated among our clients due to their superior finish, long life and reliable nature. These are widely used and are available in market in different specifications. Additionally, we also assure safe and timely delivery of our products.

➤ MS COMPONENTS

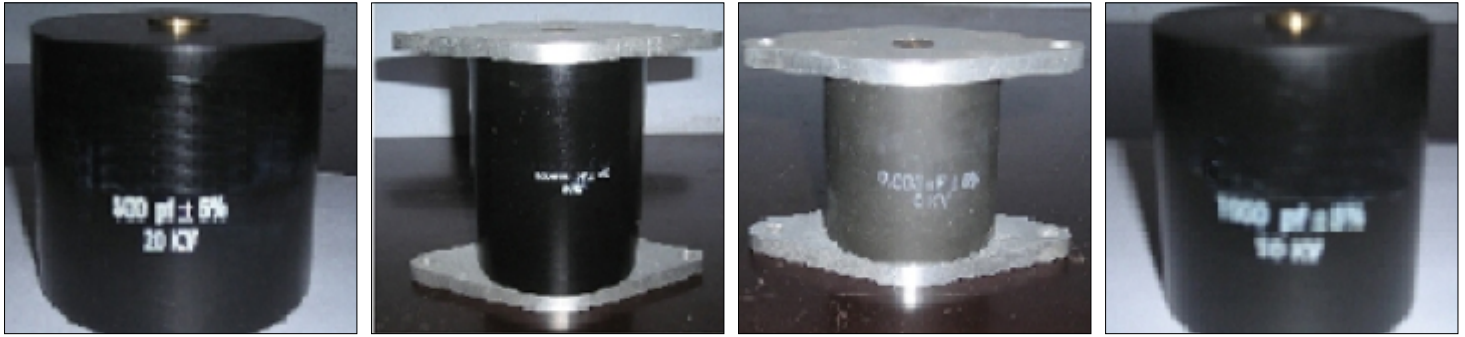


We are devotedly engaged in offering a distinctive quality array of MS Components to our respected customers. Widely used in different applications, our offered items are developed by highly qualified professionals employing advanced tools and machines. These parts are offered in numerous specifications to our clients at highly reasonable prices.



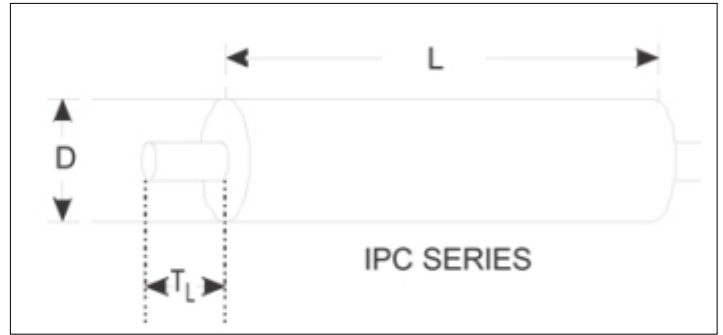
Capacitors

➔ RF & POWER TRANSMITTING CAPACITOR



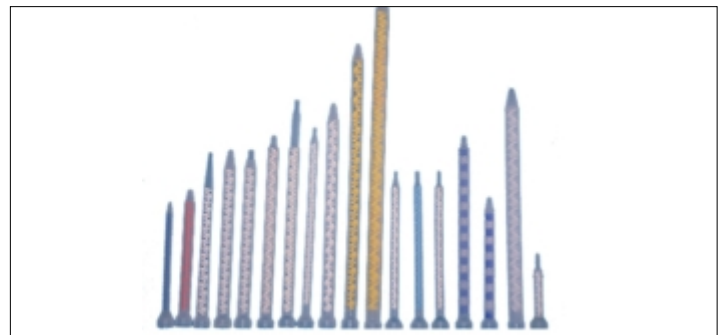
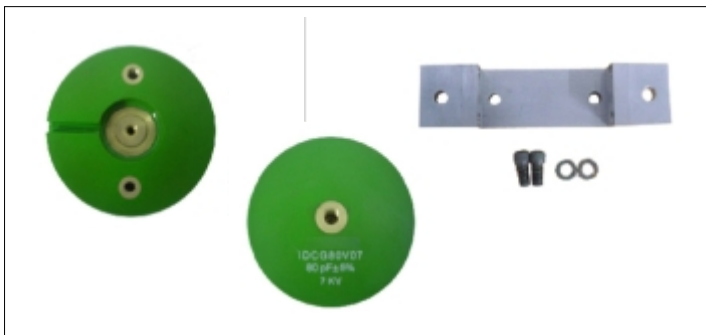
IRP SERIES epoxy casted mica capacitors, which are designed especially for RF and Power transmitting circuitry for the frequency ranging from 0.1 MHz to 3.0 MHz. These are also ideal for high current and high voltage circuits like broadcasting, welding, induction heating and other high frequency applications.

➔ IPC SERIES MICA CAPACITOR



IPC SERIES epoxy casted mica capacitor, especially designed for PLC and high voltage application circuitry to extract HF signal from LF HV transmission line. It can also be used in very high voltage circuit. Utmost care has been taken in every step of manufacturing process covering with high withstanding voltage capabilities of dielectric..

➔ PD COUPLING CAPACITOR

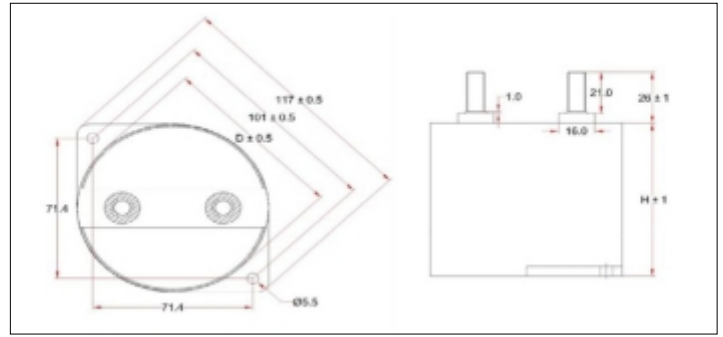
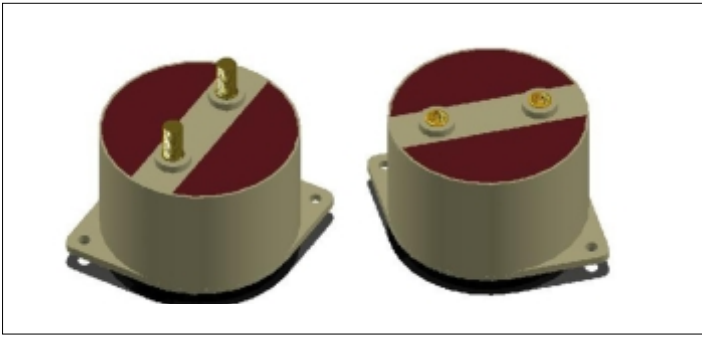


Type	Capacitance (pF)	Tolerance	Temperature (deg C)	CEV (KV)	AC Hipot (KV)	Mass (Kg)	Diameter (Inch)	Heigh (Inch)
IDCG80V07	80	± 5%	- 30 to 130	7.0	18.0	1.650	4.0	6.0
IDCG80V10	80	± 5%	- 30 to 130	10.0	23.0	2.000	4.0	8.0
IDCG80V15	80	± 5%	- 30 to 130	15.0	32.0	2.100	4.0	8.0
IDCG80V20	80	± 5%	- 30 to 130	20.0	43.0	2.300	4.0	8.0
IDCG80V25	80	± 5%	- 30 to 130	25.0	54.0	2.800	4.0	10.0



Capacitors

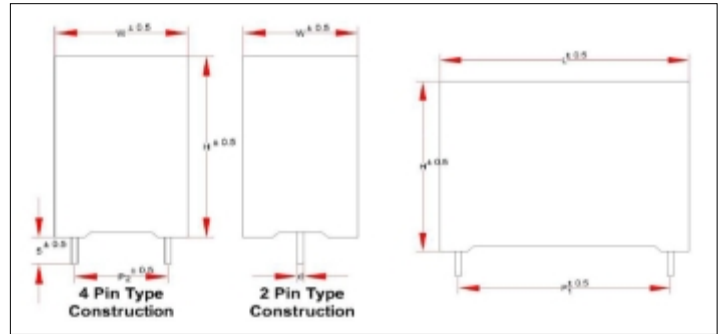
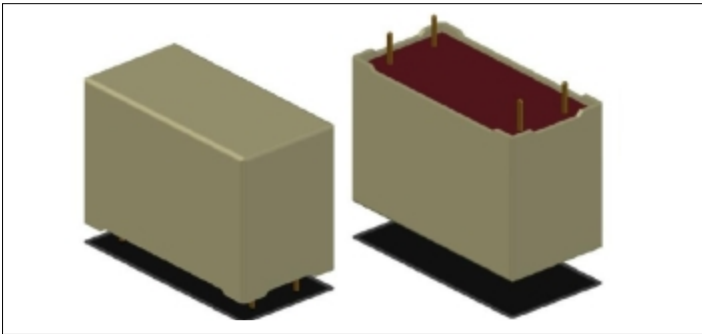
➔ DC LINK CAPACITOR (CAN TYPE)



FEATURES:

Non - Inductive, Low ESR, Low ESL, Self-Healing Property, High Thermal Withstand capacity, Rigid Mechanical mounting and excellent terminal contacts are achieved by the strong axial connections, Flame Retardant Outer Cover UL 94 - V0

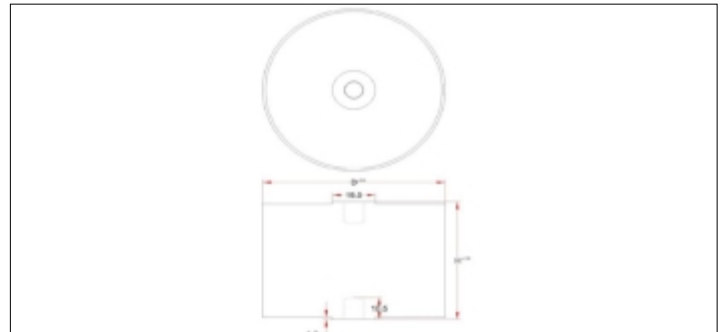
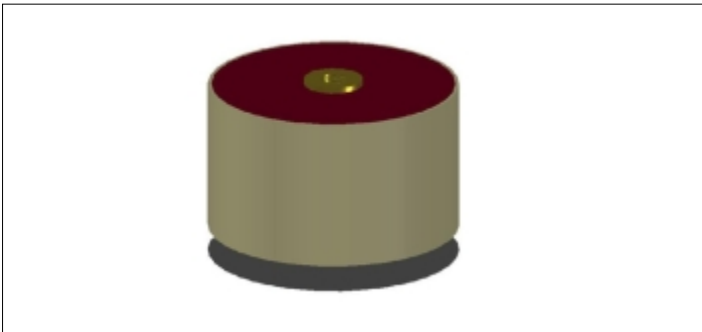
➔ DC LINK CAPACITOR (BOX TYPE)



FEATURES:

Non - Inductive, Low ESR, Low ESL, Self-Healing Property, High Thermal Withstand capacity, Rigid Mechanical mounting and excellent terminal contacts are achieved by the strong axial connections, Flame Retardant Outer Cover UL 94 - V0

➔ GTO CAPACITOR



FEATURES:

Non - Inductive, Low ESR, Low ESL, Self-Healing Property, High Thermal Withstand capacity, Rigid Mechanical mounting and excellent terminal contacts are achieved by the strong axial connections, Flame Retardant Outer Cover UL 94 - V0

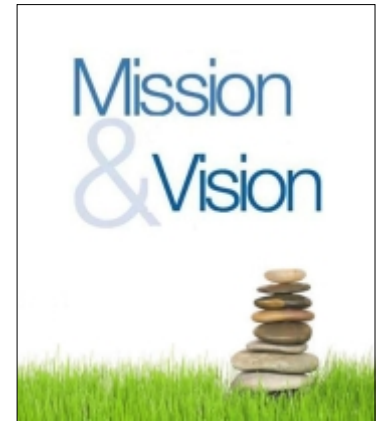


Our Mission

Our Mission is to deliver Quality Brass components & Capacitors on time & every time at efficient price while creating values for Customers, Vendors, Employees & all other Stakeholders.

Our Mission

To be recognized as Industry Leader for Quality Components & Capacitors and also to be the customers first choice by implementing best manufacturing practices with engineering excellence.



Training Policy

- ➔ We believe in enhancing human resources assets value for continual improvement in product quality
- ➔ Periodic training is provided to all employees to make things Easier, Faster & Cost Effective
- ➔ Periodic measurement of employees' skills & capabilities are tested with relation to Matrix Skill & Competence Skills.
- ➔ In house as well as training from professional bodies are organized.

Our Quality Assurance Program Includes:



- ➔ ISO 9001:2015 certified system.
- ➔ Full-time quality inspector (backed by certified engineer).
- ➔ Controlled Goods Number:CG16431.
- ➔ Measuring Equipment calibrated at regular intervals.
- ➔ Dedicated 230 square foot inspection room.
- ➔ Inspection Equipment includes – CMM – Mitutoyo Shadow Graph (with edge detector) – “Z” rated Pin Gauges – Hardrocker Hardness Tester and various other calibrated measuring devices.
- ➔ Solid Works and Design Works software to aid with various calculations.
- ➔ We recently added Keyence IM-7000 to our inspection room.



📍 2707-4090, Living Arts, Dr. Mississauga, ON L5B4M8.

☎ +1 437 992 0841

✉ info@szmaterialsinc.com

🌐 www.szmaterialsinc.com